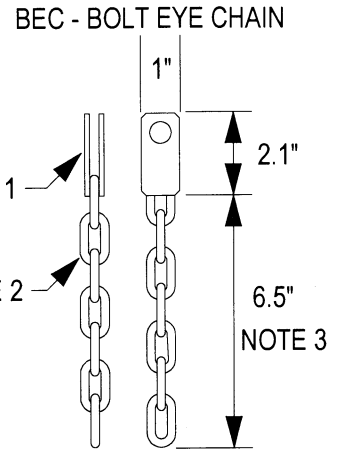
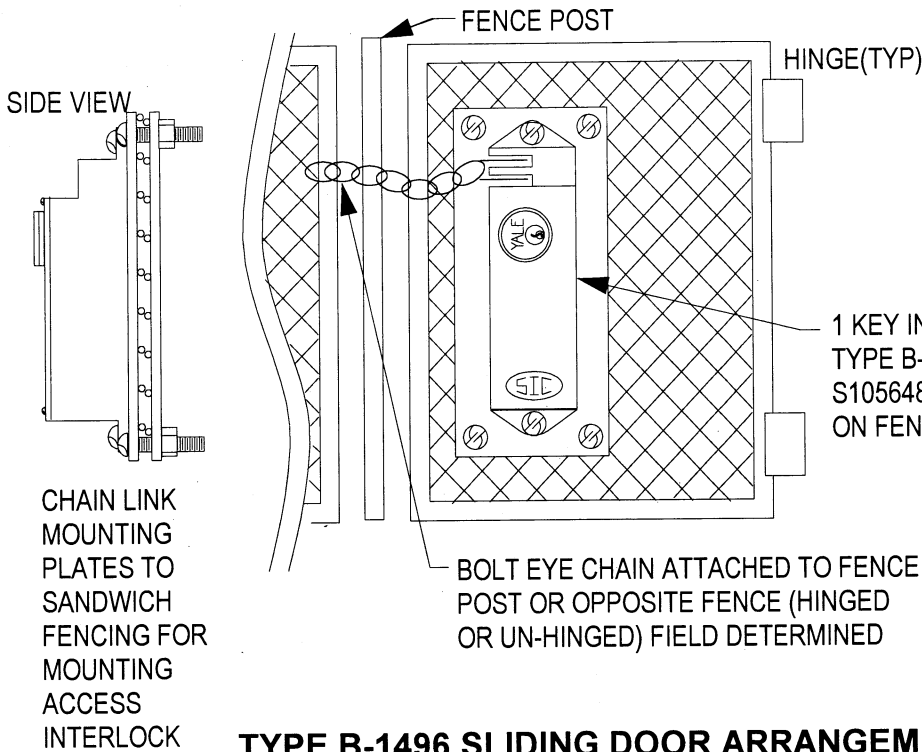


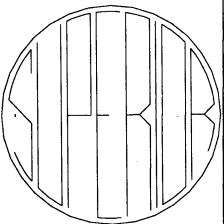
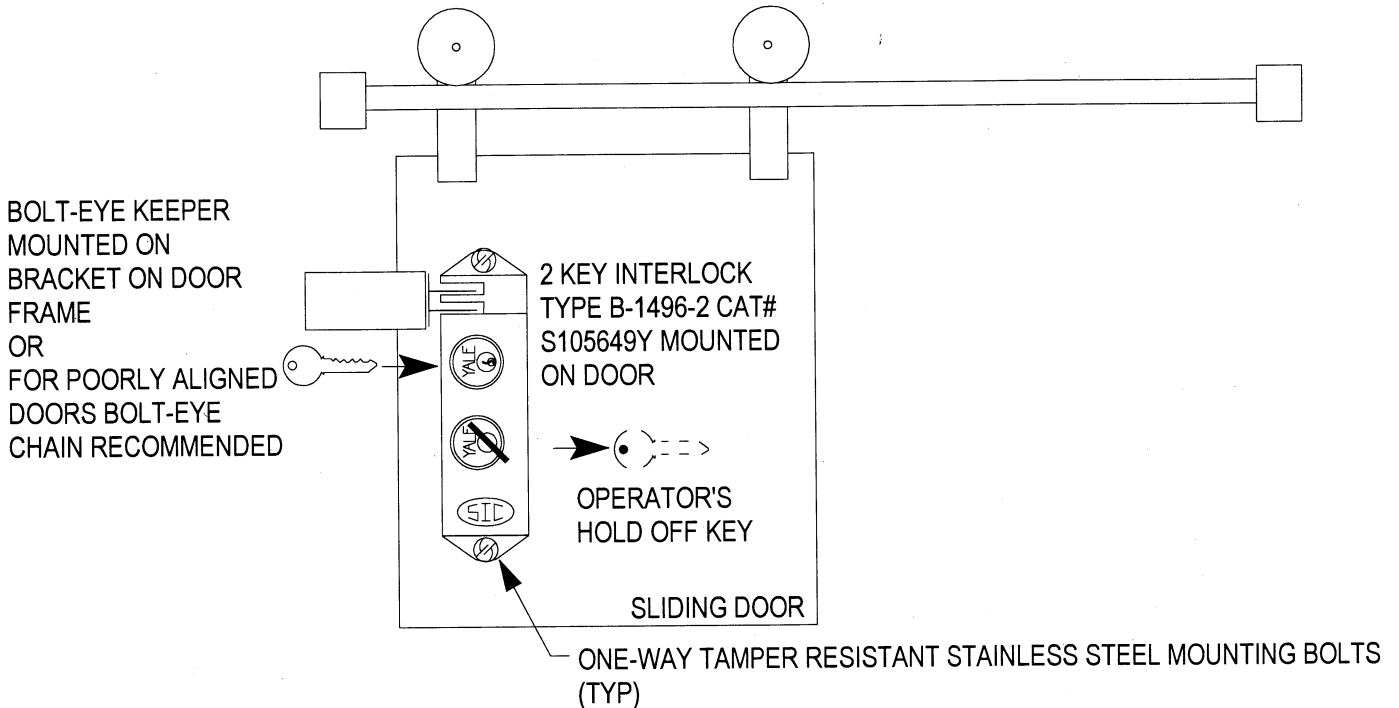
TYPE B-1496 GENERAL APPLICATION RECOMMENDATIONS

TYPE B-1496 CHAIN LINK FENCE ARRANGEMENT



- NOTES:
- 1 - MAT'L 304 STAINLESS STEEL
 - 2 - 1/4" NOMINAL CHROME PLATED STEEL CHAIN - STAINLESS STEEL AVAILABLE (OPTIONAL)
 - 3 - OTHER LENGTHS AVAILABLE CALL FACTORY FOR DETAILS

TYPE B-1496 SLIDING DOOR ARRANGEMENT



SUPERIOR INTERLOCK CORP
 73-39 CENTRAL AVE.
 GLENDALE, NY 11385
 PHN (718)821-8949
 FAX (718) 417-6162
www.superiorinterlock.com

Dwg# B1496GA

Rev:

Date: 10-28-2000

CUSTOMER: FILE

TITLE: TYPE B-1496 GENERAL APPLICATION RECOMMENDATIONS