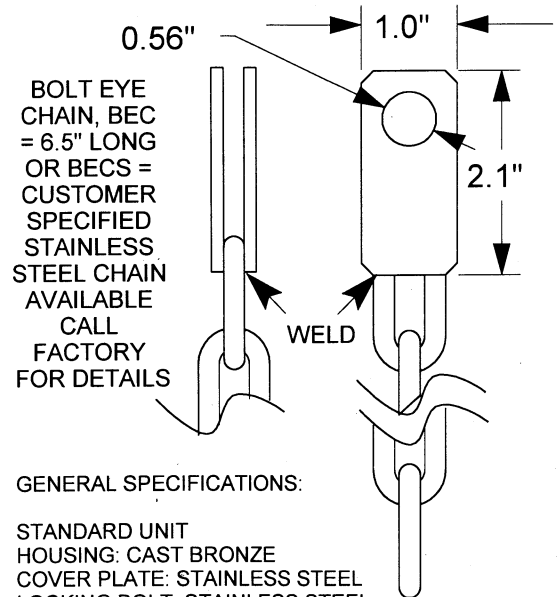
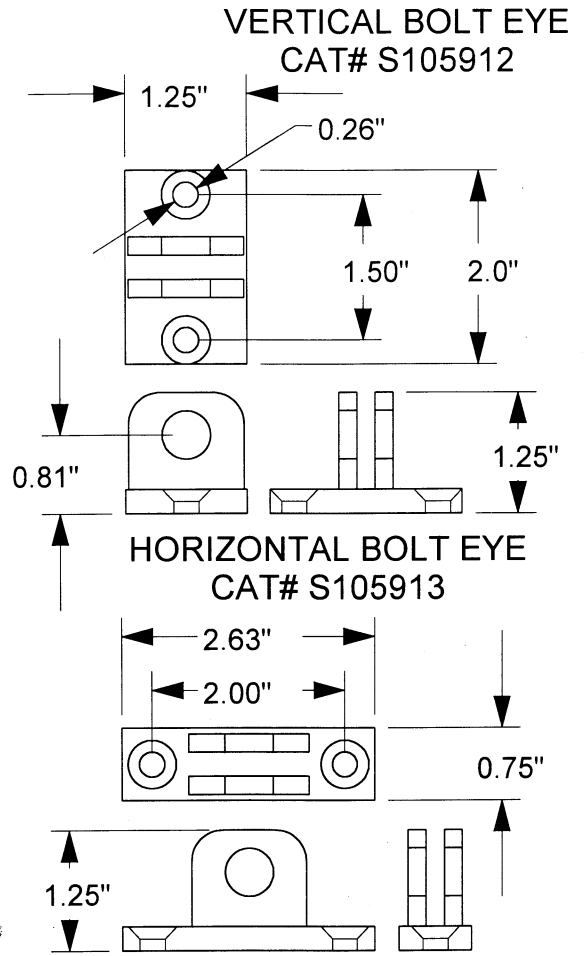
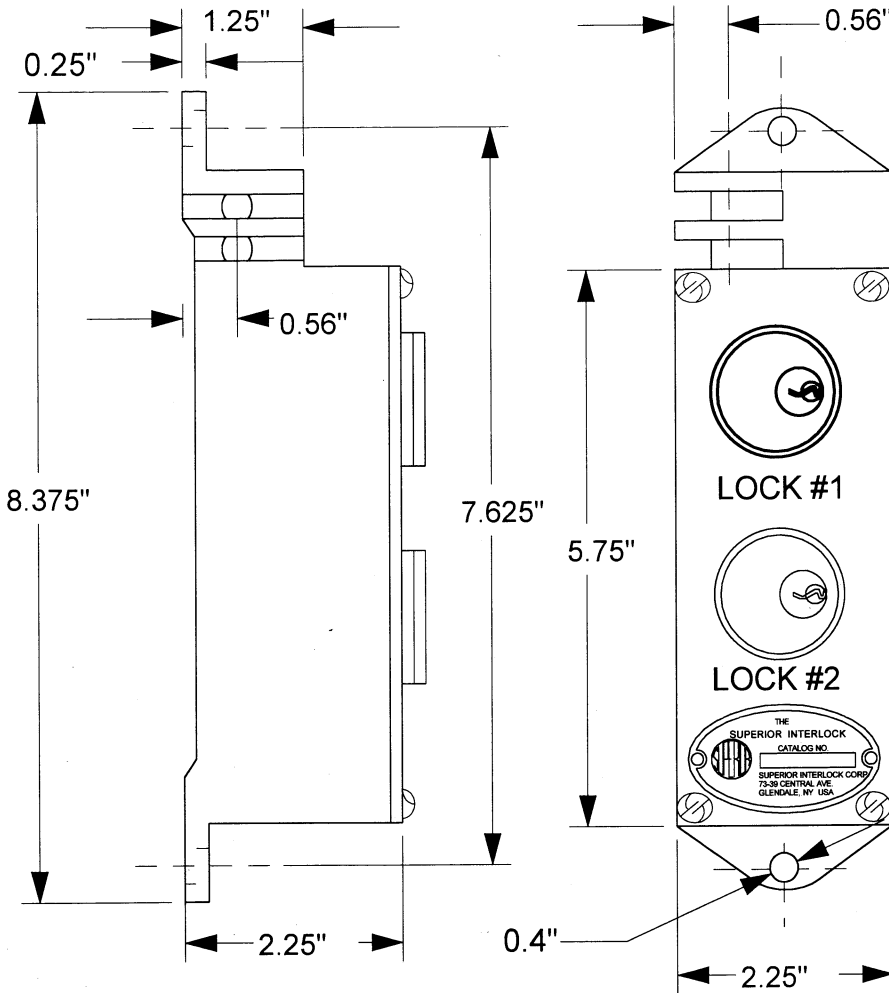


TYPE B-1496 ACCESS INTERLOCK TECHNICAL INFORMATION



GENERAL SPECIFICATIONS:

STANDARD UNIT
 HOUSING: CAST BRONZE
 COVER PLATE: STAINLESS STEEL
 LOCKING BOLT: STAINLESS STEEL
 INTERNAL PARTS: BRASS, & STAINLESS STEEL
 FINISH: SILVER PAINT
 FOR HARSH ENVIRONMENT
 NICKEL PLATED UNIT AND CYLINDERS

UNIT DIAGRAM CAT#/TYPE

DESCRIPTION

SHIP WT.

	S105646Y B-1496-1	ONE KEY ACCESS INTERLOCK w/ HORZ B.E. KEY RELEASED DOOR LOCKED CLOSED	5LB 0 OZ
	S105647Y B-1496-1	ONE KEY ACCESS INTERLOCK w/ VERT B.E. KEY RELEASED DOOR LOCKED CLOSED	5LB 0 OZ
	S105648Y B-1496-1	ONE KEY ACCESS INTERLOCK w/ NO B.E. KEY RELEASED DOOR LOCKED CLOSED	4LB 14 OZ
	S105649Y B-1496-2	ONE KEY ACCESS INTERLOCK w/ VERT B.E. KEY #1 REL. DOOR LOCKED CLOSED, #2 REL DOOR OPEN	5LB 4 OZ
	S105650Y B-1496-2	ONE KEY ACCESS INTERLOCK w/ VERT B.E. KEY #1, & #2 REL. DOOR LOCKED CLOSED	5LB 4 OZ
	S105651Y B-1496-2	ONE KEY ACCESS INTERLOCK w/ HORZ B.E. KEY #1 REL. DOOR LOCKED CLOSED, #2 REL DOOR OPEN	5LB 4 OZ
	S105652Y B-1496-2	ONE KEY ACCESS INTERLOCK w/ HORZ B.E. KEY #1, & #2 REL. DOOR LOCKED CLOSED	5LB 4 OZ
	S105653Y B-1496-2	ONE KEY ACCESS INTERLOCK w/ NO B.E. KEY #1 REL. DOOR LOCKED CLOSED, #2 REL DOOR OPEN	5LB 4 OZ
	S105654Y B-1496-2	ONE KEY ACCESS INTERLOCK w/ NO B.E. KEY #1, & #2 REL. DOOR LOCKED CLOSED	5LB 2 OZ

AVAILABLE ACCESSORIES

DUAL	ACYL	KC	DC2	DC3	NKPU	WMP	CLM	MH	BEC	BECS
------	------	----	-----	-----	------	-----	-----	----	-----	------

SUPERIOR INTERLOCK CORPORATION (718) 821-8949 * fax (718)417-6162

www.superiorinterlock.com